

10-8. ROTC Class A Uniform.

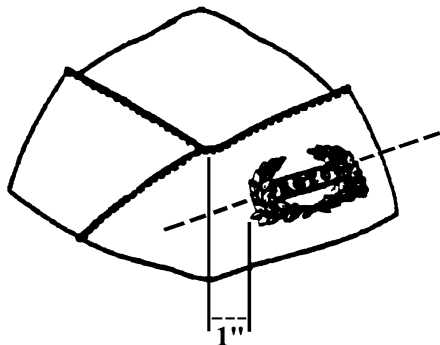
a. Class A uniform consists of the following:

(1) Male - Garrison cap, Army green coat and trousers, AG-415 green shirt (short or long sleeve), a black four-in hand necktie, black oxford shoes, black socks, black belt with brass buckle and tip, black all weather coat (optional), uniform brass and accessories.

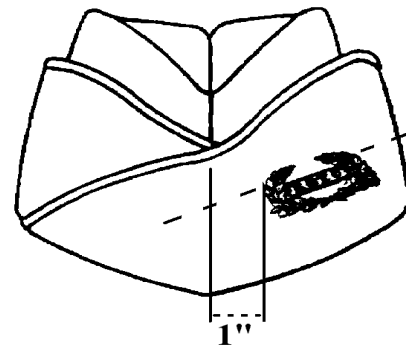
(2) Female - Garrison cap, Army green coat, slacks or skirt, AG-415 green shirt (short or long sleeve), black neck tab, black oxford shoes or black pumps, black all weather coat (optional), uniform brass and accessories.

b. Garrison Cap (male and female). The garrison cap will be worn with the front vertical crease of the cap centered on the forehead, in a straight line with the nose. The cap will be tilted slightly to the right, but in no case will the side of the cap rest on the top of the ear. Center the cap approximately 1 inch above the eyebrows (approximately the width of the first two fingers). The top of the cap will be opened to cover the crown of the head. Hair will not be visible on the forehead below the front bottom edge of the cap. Insignia will be worn as follows:

(1) Basic Course. The ROTC insignia will be centered on the left curtain 1 inch from the crease.

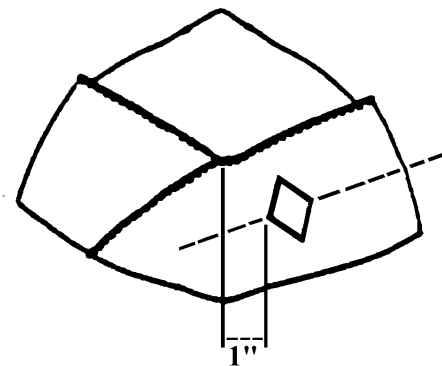


Garrison Cap - Basic Course Male

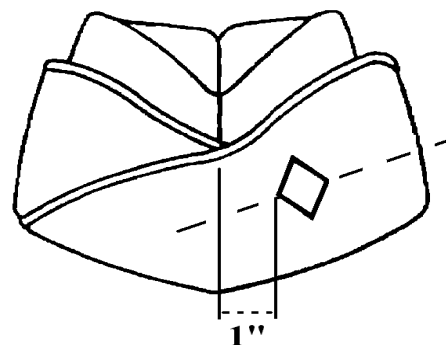


Garrison Cap - Basic Course Female

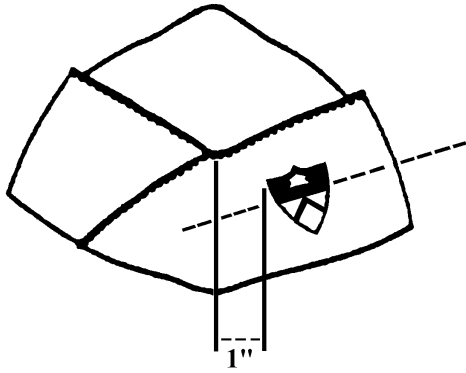
(2) Advanced Course. Officers will wear rank insignia and enlisted cadets the Distinctive Unit Insignia (DUI) - or more commonly called "Unit Crest" - centered on the left curtain 1 inch from the crease.



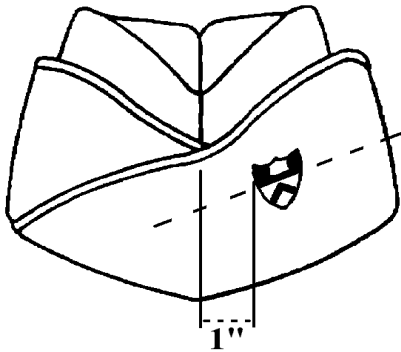
**Garrison Cap - Advanced Course
Male Officer**



**Garrison Cap - Advanced Course
Female Officer**



**Garrison Cap - Advanced Course
Male Enlisted**

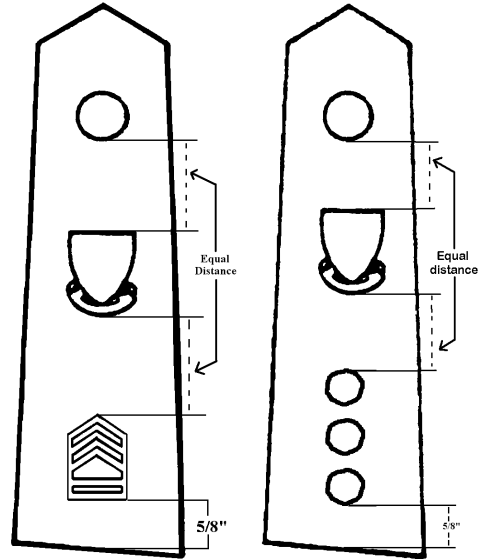


**Garrison Cap - Advanced Course
Female Enlisted**

c. Green Coat.

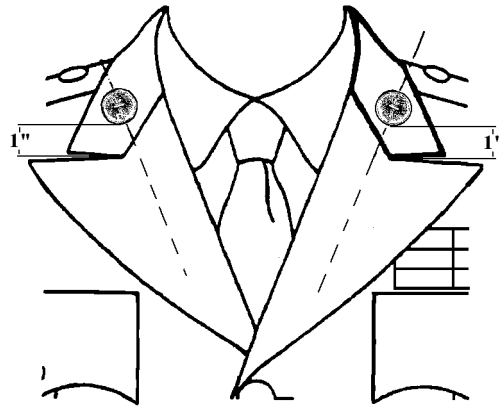
(1) Insignia of rank. Nonsubdued insignia will be worn centered on both shoulder loops of the coat, 5/8 inch from the outside shoulder seam. The top of enlisted insignia will point toward the individual's neck.

(2) Distinctive Unit Insignia (DUI). The DUI is worn on the shoulder loops of the coat and centered between the insignia of grade and the outer edge of the button.



**Insignia of Rank and Distinctive Unit Insignia
on shoulder loop Class A**

(3) Torch of Knowledge. This insignia is worn by Basic Course cadets centered on both collars parallel to the inside edge of each lapel with the outside edge of the insignia positioned 1 inch above the notch of the lapel.

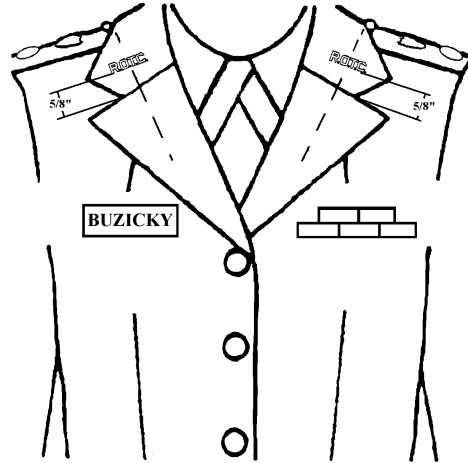


Class A - Torch of Knowledge Male



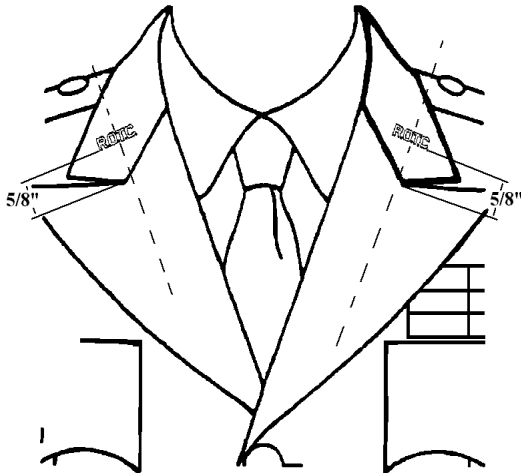
Class A - Torch of Knowledge Female

- (4) R.O.T.C. Initials. This insignia is worn by Advanced Course cadets centered on both lapels of the coat, parallel to the inside edge of each lapel. The lower edge of the insignia is positioned $\frac{5}{8}$ inch above the notch of the lapel.

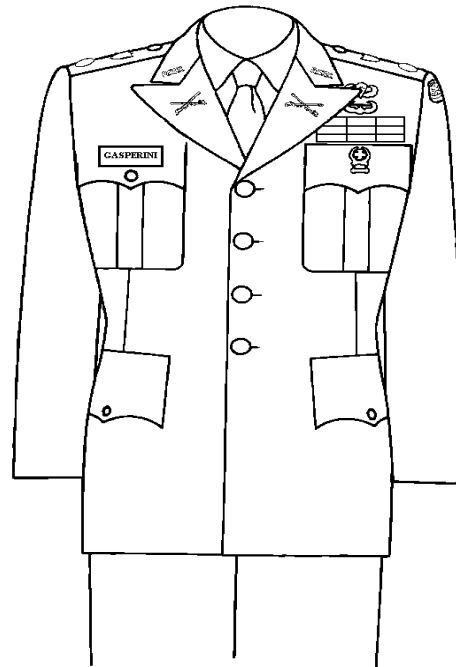


Class A ROTC Insignia Female

- (5) Branch Insignia. Second semester MS IV's may wear branch insignia centered on both lapels, $\frac{1}{4}$ inches below the ROTC initials, with the insignia bisecting the ROTC initials and parallel to the inside edge of the lapel.



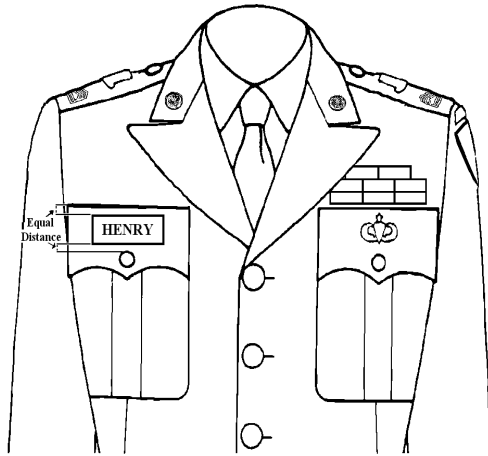
Class A ROTC Insignia Male



Class A Branch Insignia

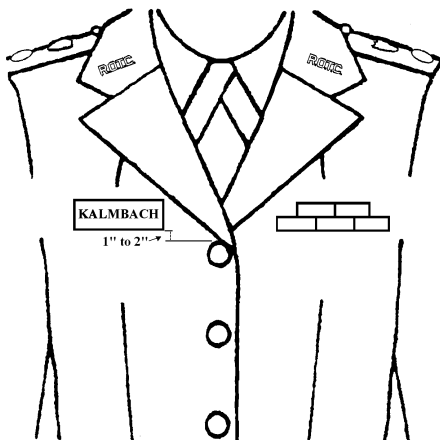
(6) Name plate.

(a) Male cadets. The nameplate will be worn on the flap of the right breast pocket, centered from left to right and between the top of the button and the top of the pocket on the Army green 415 shirts and the coat of the Army green uniform.



Class A - Nameplate Male

(b) Female cadets. On the Army green uniform, the nameplate will be worn between 1 to 2 inches above the top button, centered horizontally on the wearer's right side. Placement of the nameplate may be adjusted to conform to individual figure differences.



Class A - Nametape Female

(7) Ribbons. Only authorized ribbons will be worn. The order of precedence is found in Chapter 11. Ribbons will be worn in

the order of precedence from the wearer's right to left in one or more rows either with no space or a 1/8 inch space between rows. No more than four (4) ribbons will be worn in any one row. Male personnel will wear their ribbons centered 1/8 inch above the left breast pocket in as many rows as necessary. Female personnel will wear them centered on the left side with the bottom row positioned parallel to the bottom edge of the name plate. Placement of the ribbons may be adjusted to conform to the individual's figure differences.

(8) Other Insignia, Badges and Tabs. See CCR 670-1 and AR 670-1 for instruction on wear.

e. AG-415 green shirt, short and long sleeve. The short and long sleeve shirt can only be worn with the necktie or neck tab. Name plate and cloth shoulder boards with embroidered cadet rank will be worn on both uniform shirts.