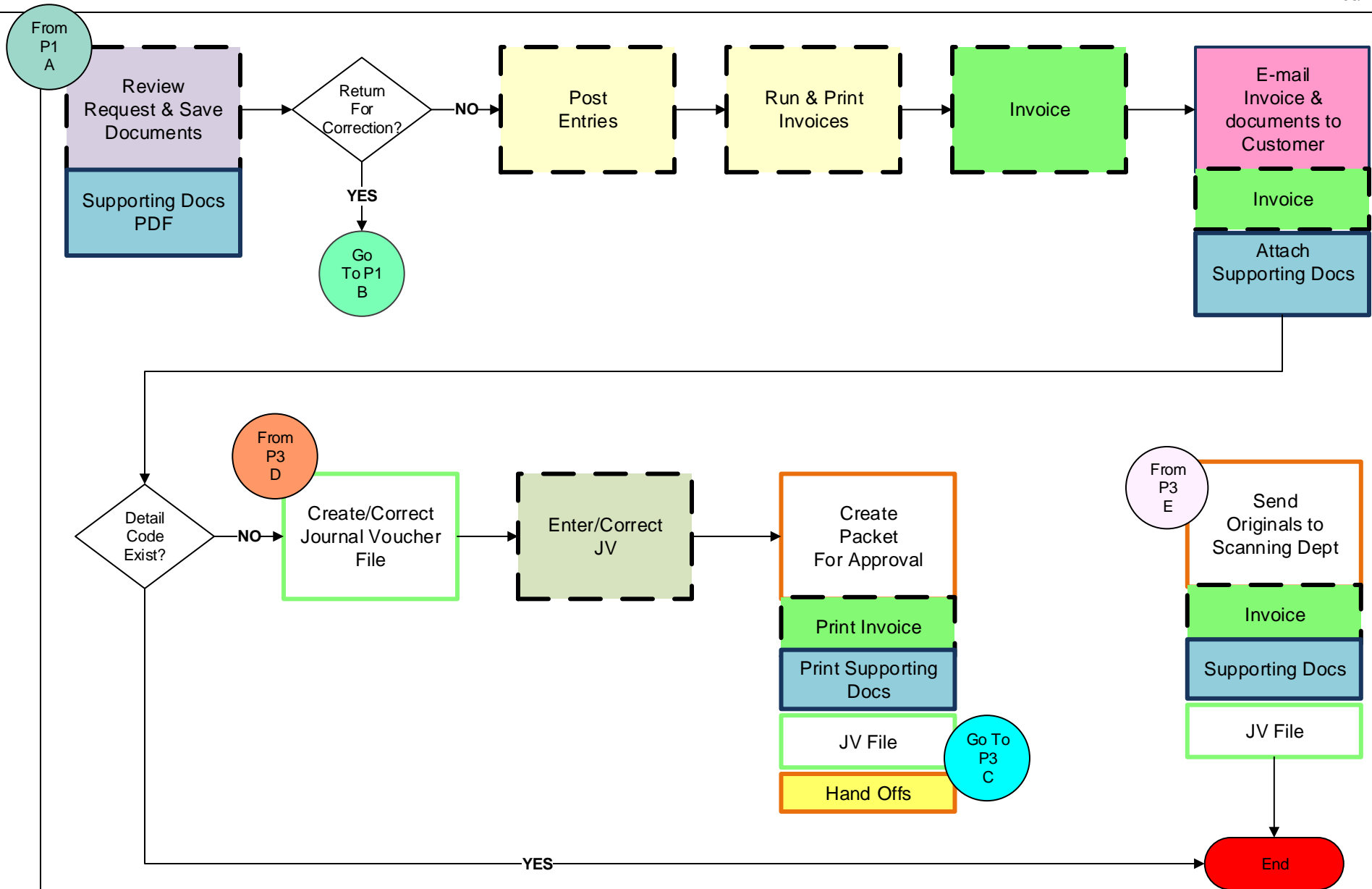
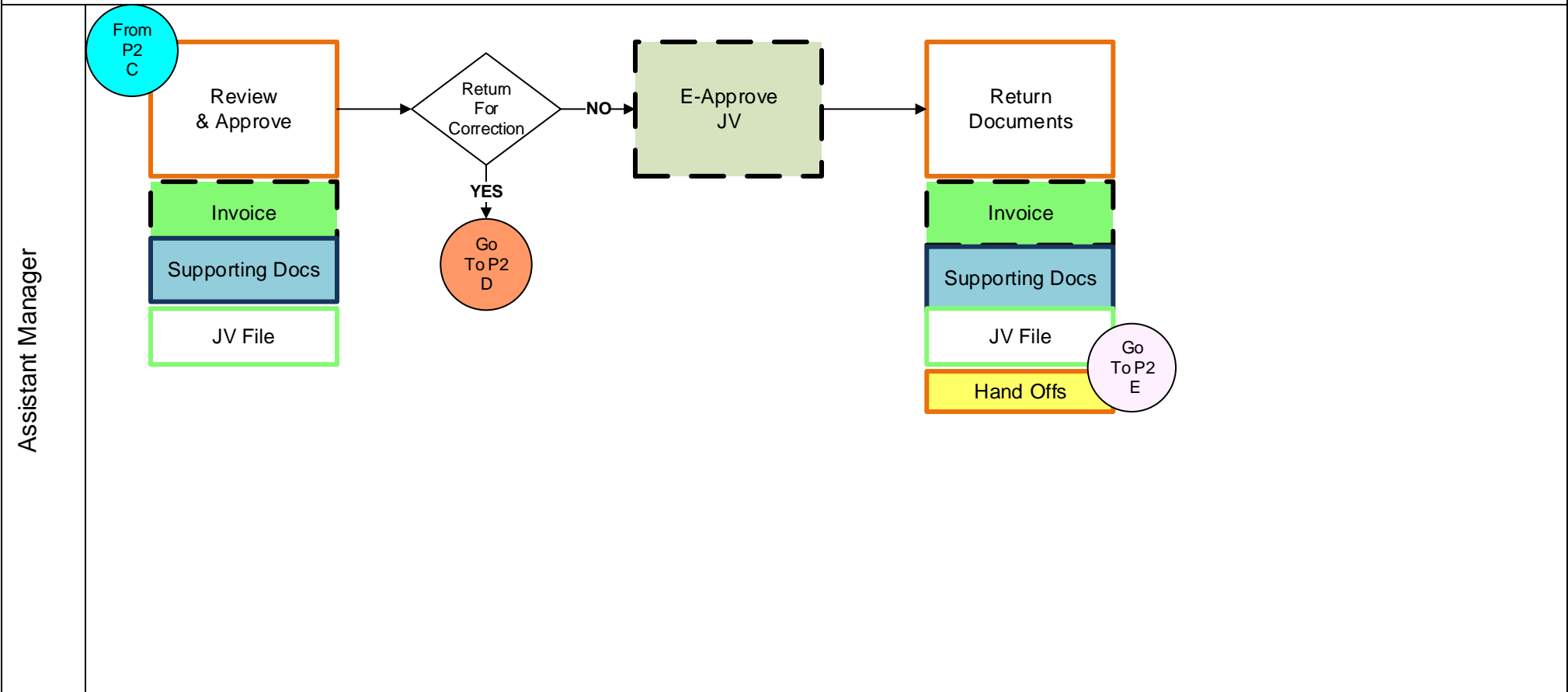


Bursar Acct Clerk





Legends

START

E-mail

Request Form

Banner Student

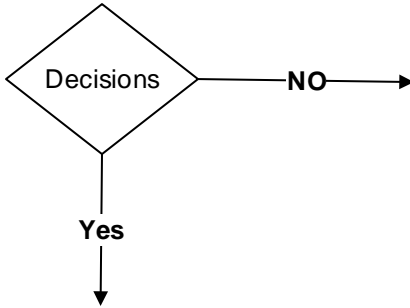
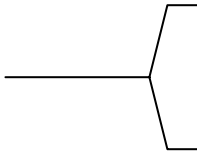
Banner Finance

Manual Process

Journal Voucher (excel)

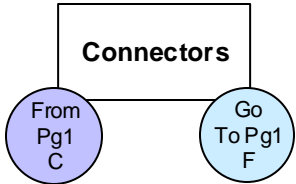
Invoice (Form Fusion)

Supporting Doc PDF



Hand Off

End



Penultimate Semester: Contact faculty advisor for names of honors students

Rejected contracts may go to either rep for re-processing

Text Box

Consider for Phase 2 implementation - Put on hold if waiting on Confirmation of final semester enrollment

Note: On revisions some departments do not send form back to faculty for signature

text

Text box

Text Box

Team Name