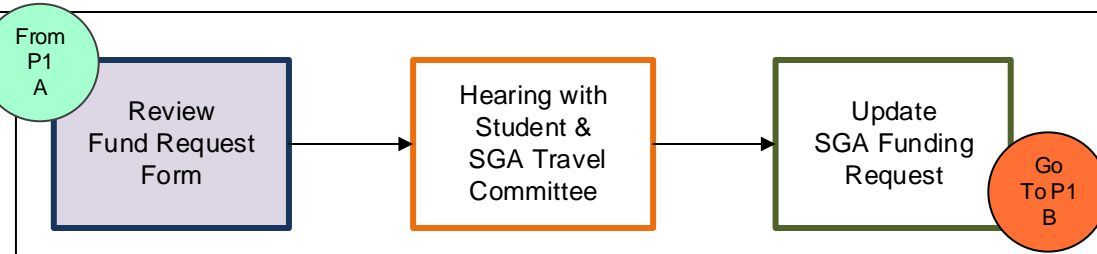


# SGA Travel Funding – ‘TO BE’ Fund Approval Process

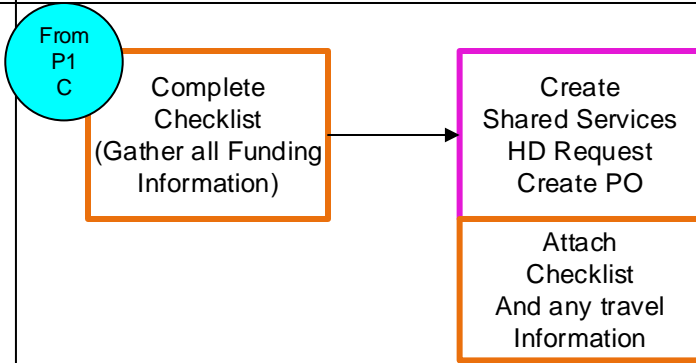
P2 Feb 19, 2018

SGA Travel Committee

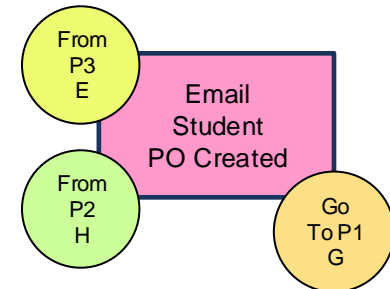
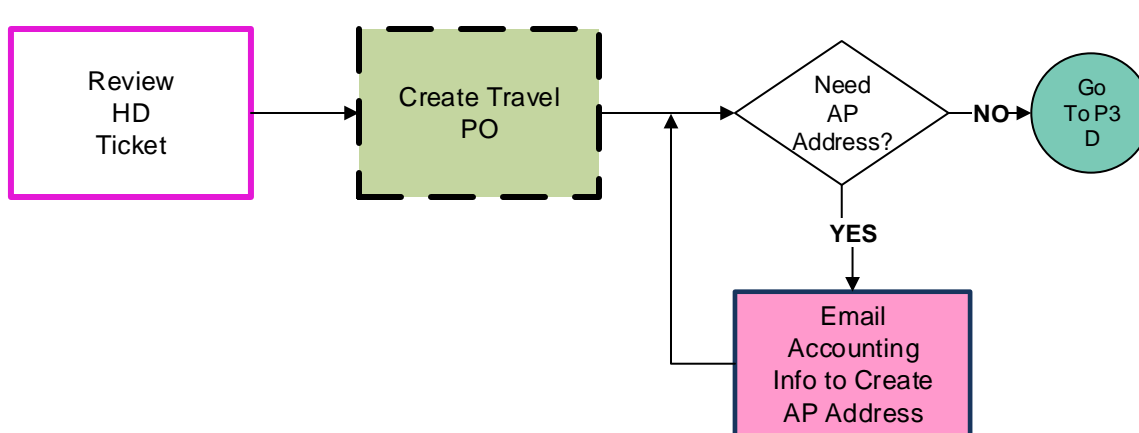


Committee includes SGA Finance Chair & GSA President resides on committee (Graduate Student Association)

Graduate Student



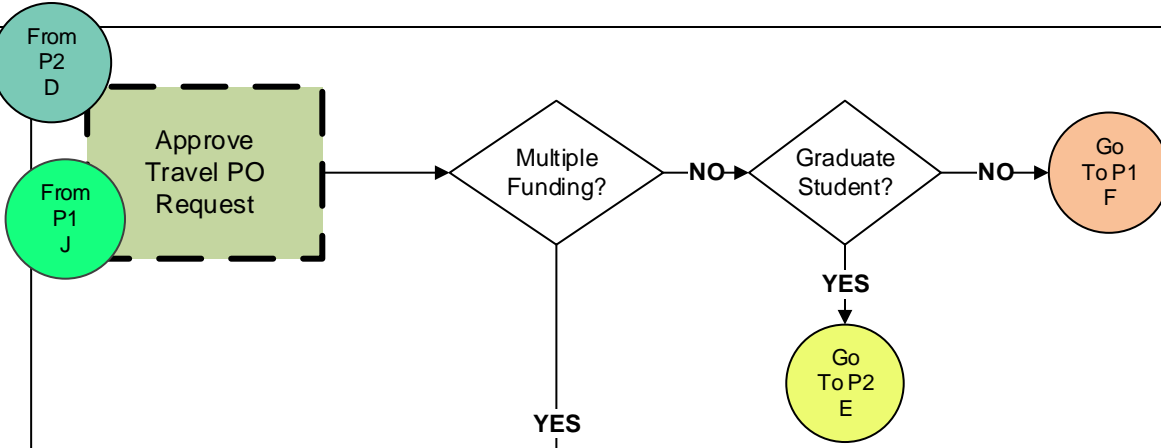
Shared Services



# SGA Travel Funding – ‘TO BE’ Fund Approval Process

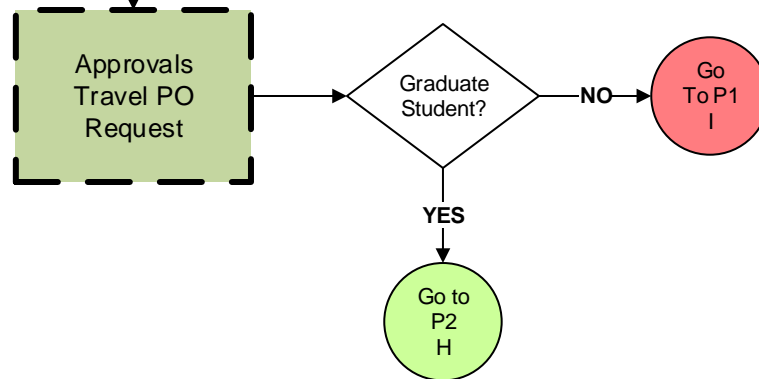
P3 Feb 19, 2018

Dean of Students/Designee



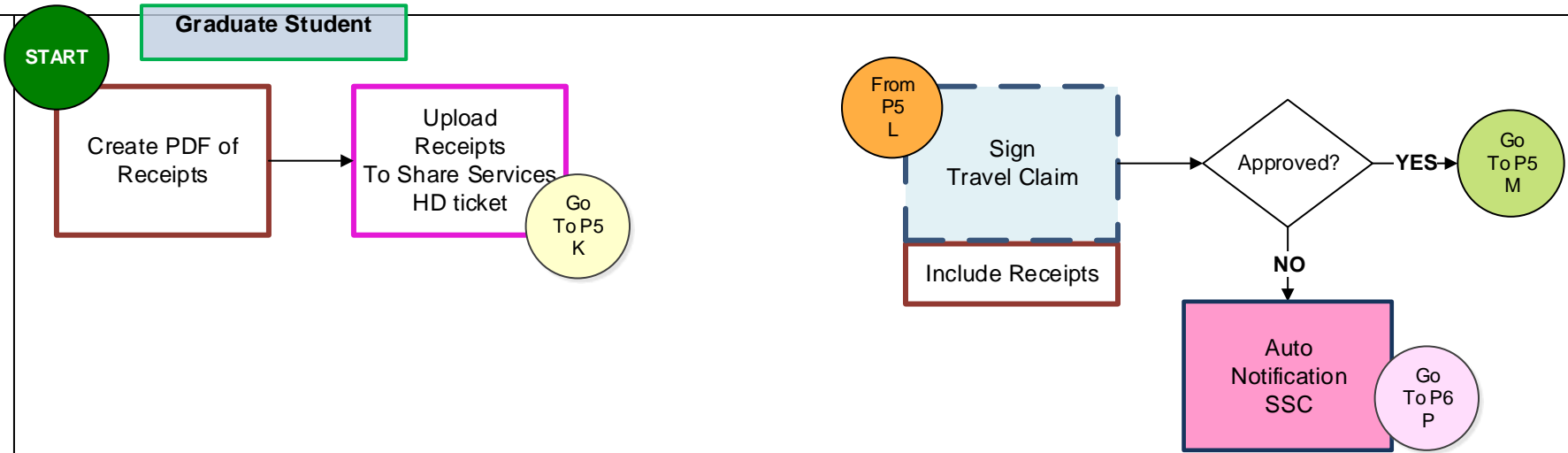
Associate Dean Student Leadership Involvement

Depart. Financial Mgr/Designee

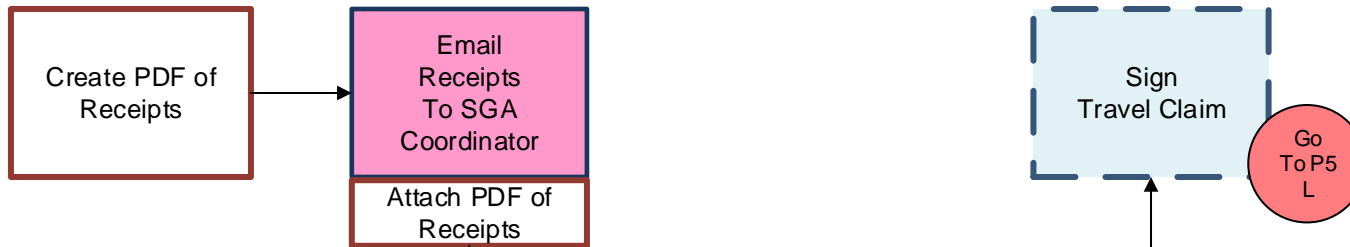


Request could have multiple departmental funding – PO will be routed accordingly

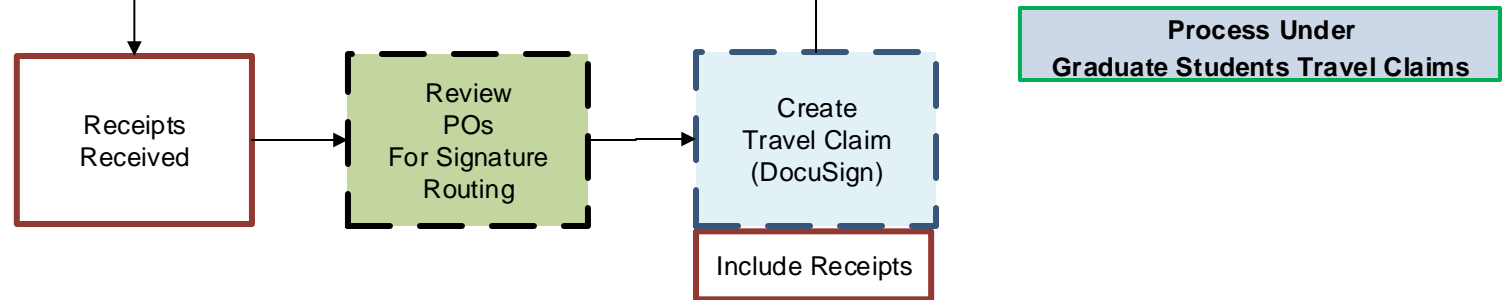
Student



**Under Graduate Student**

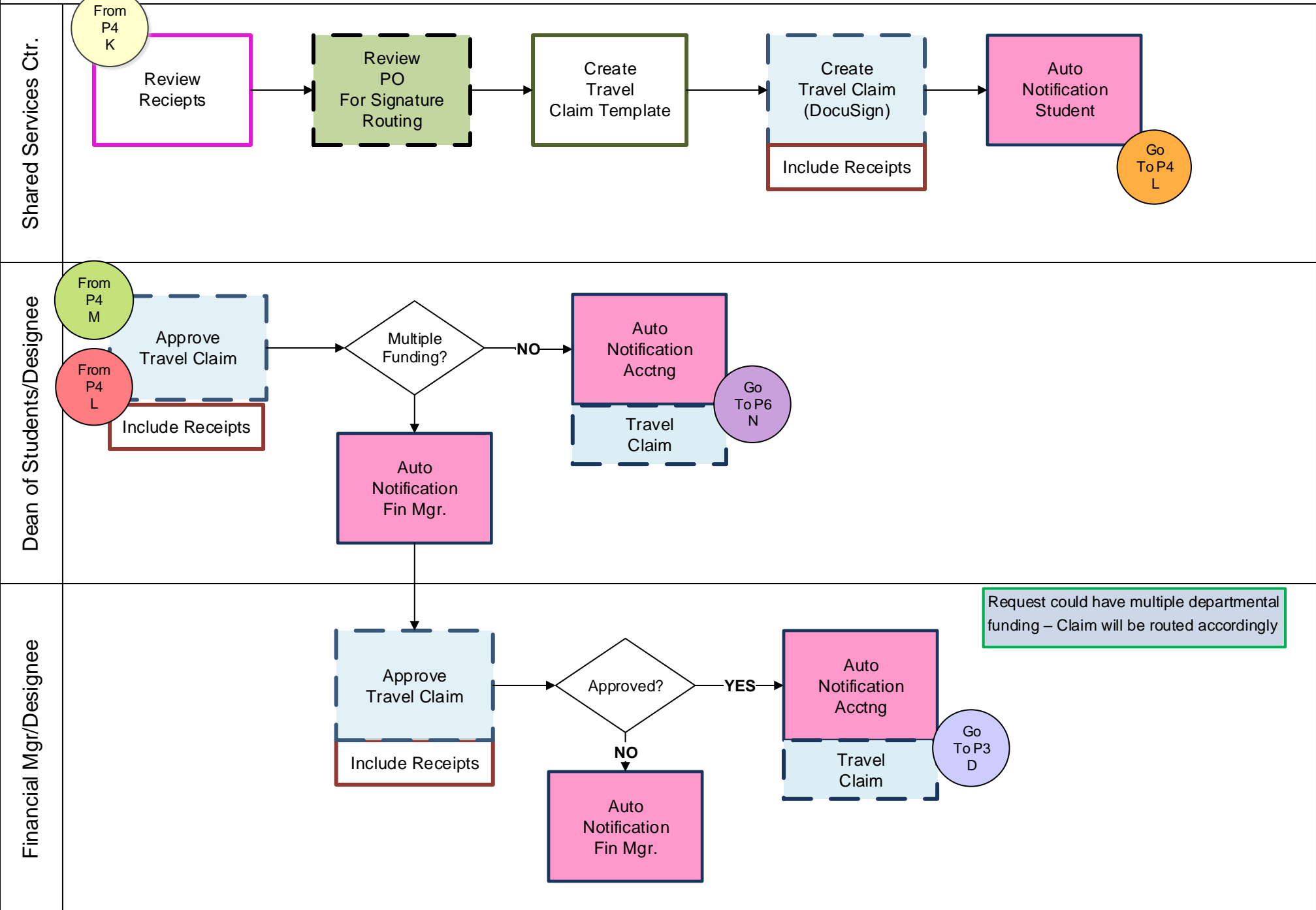


SGA Coordinator



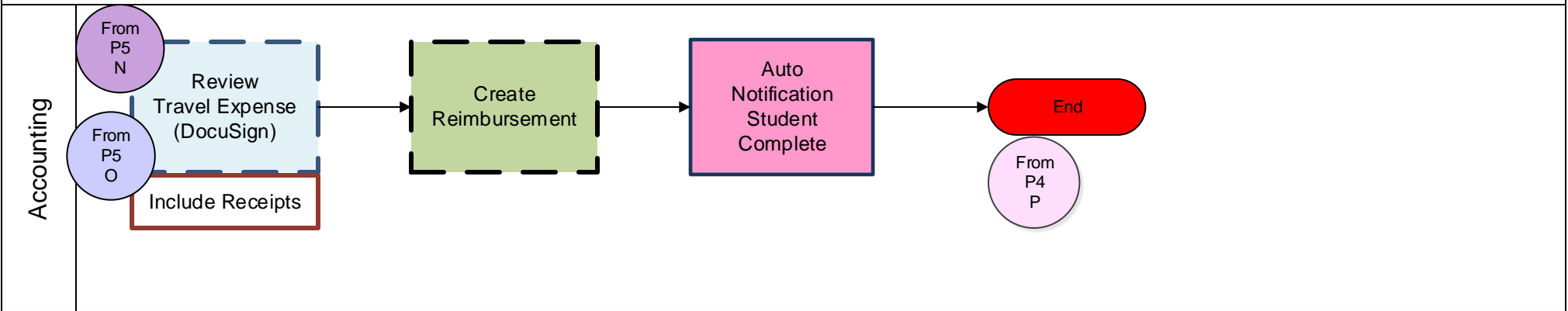
# SGA Travel Funding – ‘TO BE’ Reimbursement

P5 Feb 19, 2018



# SGA Travel Funding – 'TO BE' Reimbursement

P6 Feb 19, 2018



# Legends

START

